

FAQs

Driveway Linemarking

QUESTION: How do I get lines painted near my driveway to discourage motorists from parking there?

Council allows residents and businesses to line mark the road surface near their driveway subject to following Council's guidelines and criteria (refer to the sketch plans attached to this document).

Council can undertake the works on behalf of residents and businesses subject to fees being paid in accordance with Council's Fees and Charges 2024/2025

Installation per driveway (for 1 st driveway)	\$360 (incl GST)
Installation per driveway (for 2 nd or more driveways)	\$249 (incl GST)

This fee does not cover maintenance of the line marking.

Residents and businesses may also undertake the works independently of Council (subject to following Council's guidelines and criteria)

Please note that this line marking is for guidance only and is not enforceable. According to NSW Road Rules, it is illegal to park across a driveway regardless of the line marking.

QUESTION: I want to pay Council to install the line marking, what do I do now?

If you wish for Council to undertake the work, then please lodge a Service Request (refer to Council's

web site at www.cityofparramatta.nsw.gov.au → Online Services → Submit a Request → Traffic and Transport → Issues at Driveways → Request for Driveway Linemarking).

Council will arrange for an invoice to be sent to you. Once paid, Council will arrange for the work to be completed.

QUESTION: I want to organise the linemarking myself, can I?

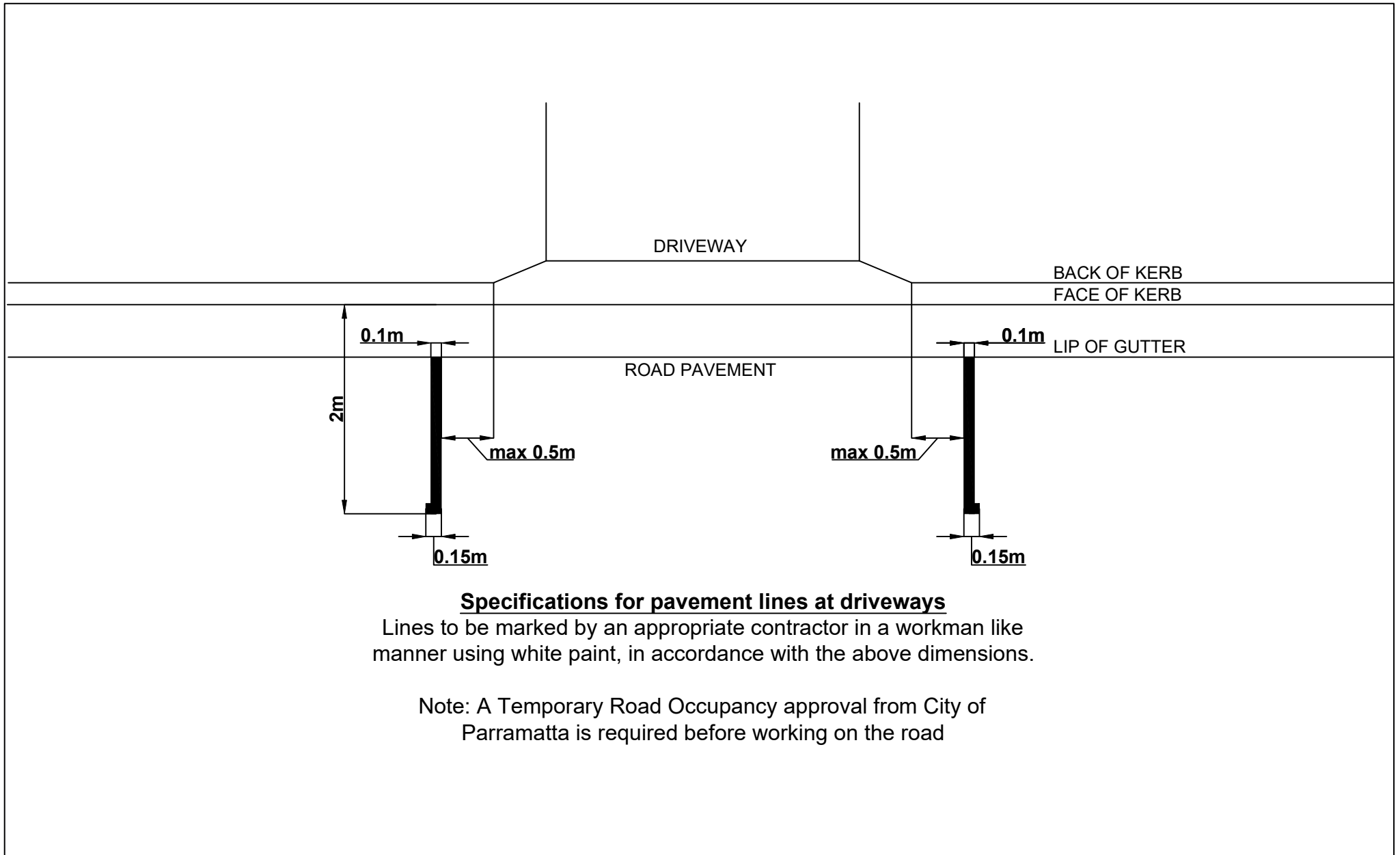
If you intend to arrange the line marking, work must be in accordance with Council's guidelines and criteria (refer to the sketch plans attached to this document).

Any work that is not done in accordance with the sketch plan may be removed by Council. You can confirm which sketch plan is appropriate for your property by first contacting Council's Traffic and Transport Services Unit on 9806 5050 or traffic@cityofparramatta.nsw.gov.au

The organisation or person undertaking the work is required to submit a Temporary Road/Footpath Occupancy Application on Council's web site at www.cityofparramatta.nsw.gov.au → Online Services → Lodge an Application → Roads and Related Infrastructure

If you arrange the line marking, you are required to send a photo of the completed works to traffic@cityofparramatta.nsw.gov.au.



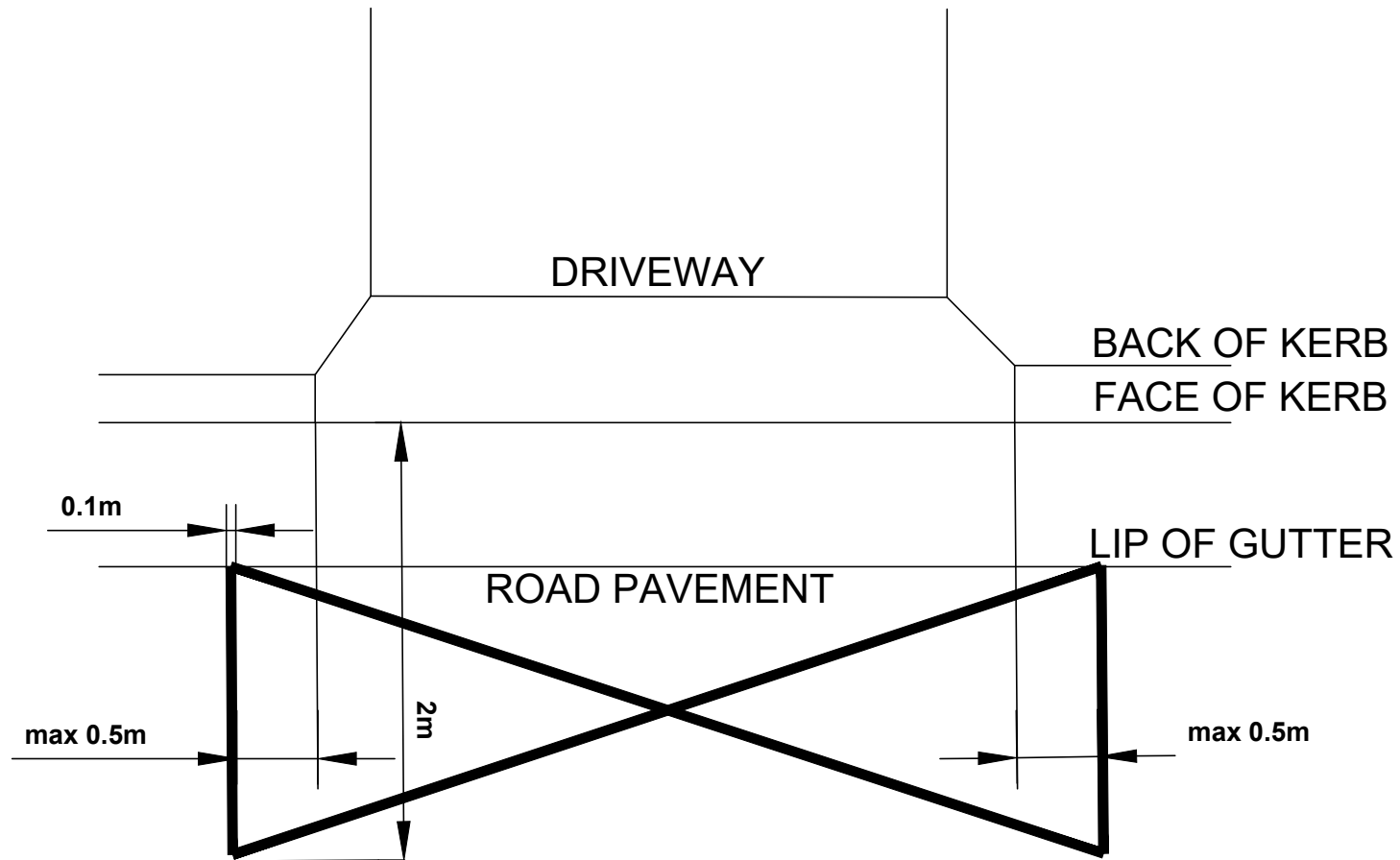


Specifications for pavement lines at driveways

Lines to be marked by an appropriate contractor in a workman like manner using white paint, in accordance with the above dimensions.

Note: A Temporary Road Occupancy approval from City of Parramatta is required before working on the road

DATE	AMENDMENT	INIT.	NOTES	SCALE	N.T.S.	CITY OF PARRAMATTA COUNCIL	STD DWG
			ALL SIGN POSTING TO BE IN ACCORDANCE WITH AS.1742	DESIGNED	RP		
			ALL DIMENSIONS ARE IN METRES	DRAWN	25/06/2021		
			CAUTION: SERVICES TO BE LOCATED PRIOR TO EXCAVATION	CHECKED			
				APPROVED			

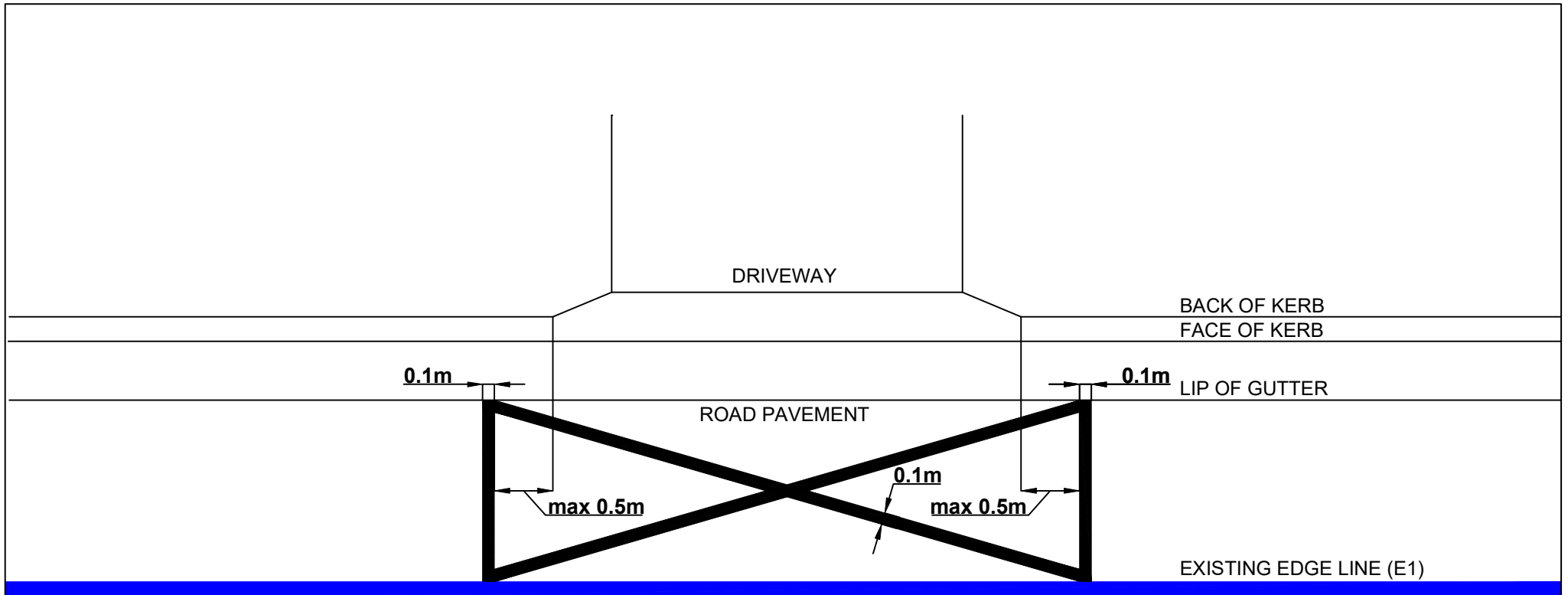


Specifications for pavement lines at driveways

Lines to be marked by an appropriate contractor in a workman like manner using white paint, in accordance with the above dimensions.

Note: A Temporary Road Occupancy approval from City of Parramatta is required before working on the road



DATE	AMENDMENT	INIT.	NOTES	SCALE	N.T.S.	CITY OF PARRAMATTA COUNCIL	STD DWG
			ALL SIGN POSTING TO BE IN ACCORDANCE WITH AS.1742	DESIGNED	QW		
			ALL DIMENSIONS ARE IN METRES	DRAWN	13/10/2023		
			CAUTION: SERVICES TO BE LOCATED PRIOR TO EXCAVATION	CHECKED			
				APPROVED			

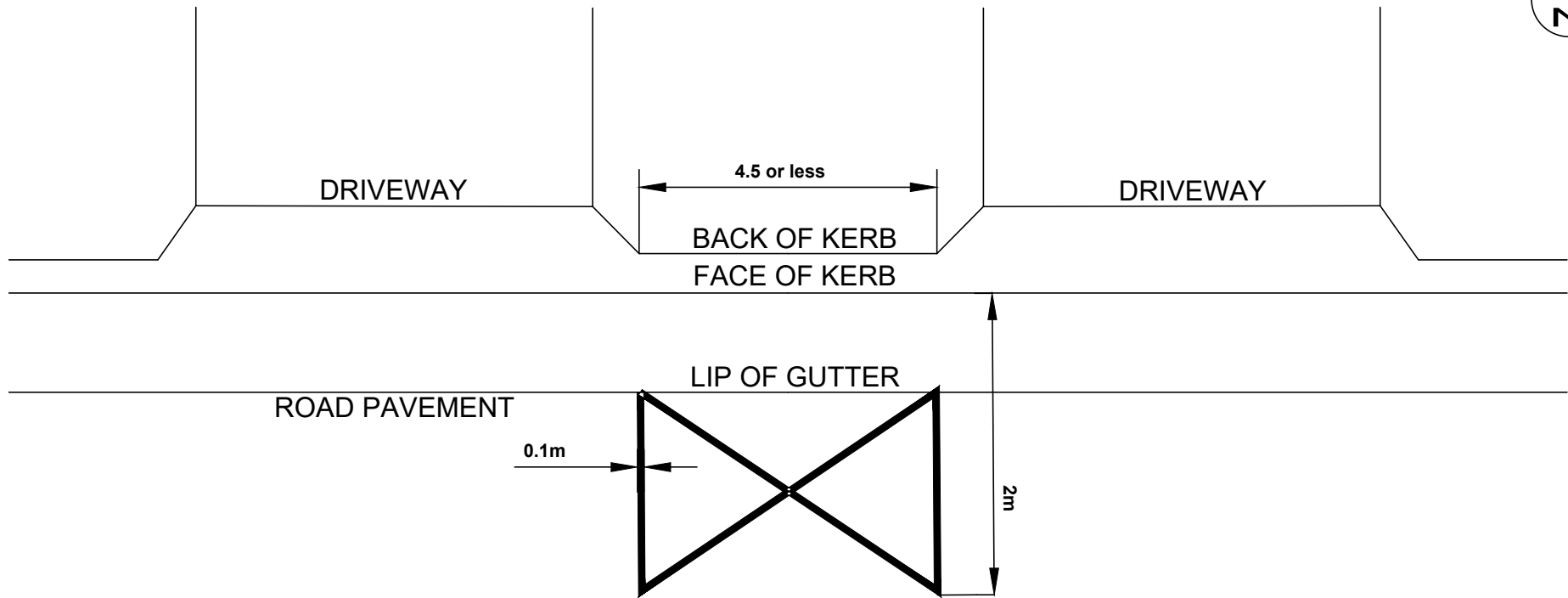


Specifications for pavement lines at driveways

Lines to be marked by an appropriate contractor in a workman like manner using white paint, in accordance with the above dimensions.

Note: A Temporary Road Occupancy approval from City of Parramatta is required before working on the road

DATE	AMENDMENT	INIT.	NOTES	SCALE	N.T.S.		CITY OF PARRAMATTA COUNCIL	STD DWG
			ALL SIGN POSTING TO BE IN ACCORDANCE WITH AS.1742	DESIGNED	RP			TRAFFIC AND TRANSPORT SERVICES
			ALL DIMENSIONS ARE IN METRES	DRAWN	25/06/2021			
			CAUTION: SERVICES TO BE LOCATED PRIOR TO EXCAVATION	CHECKED				
				APPROVED				

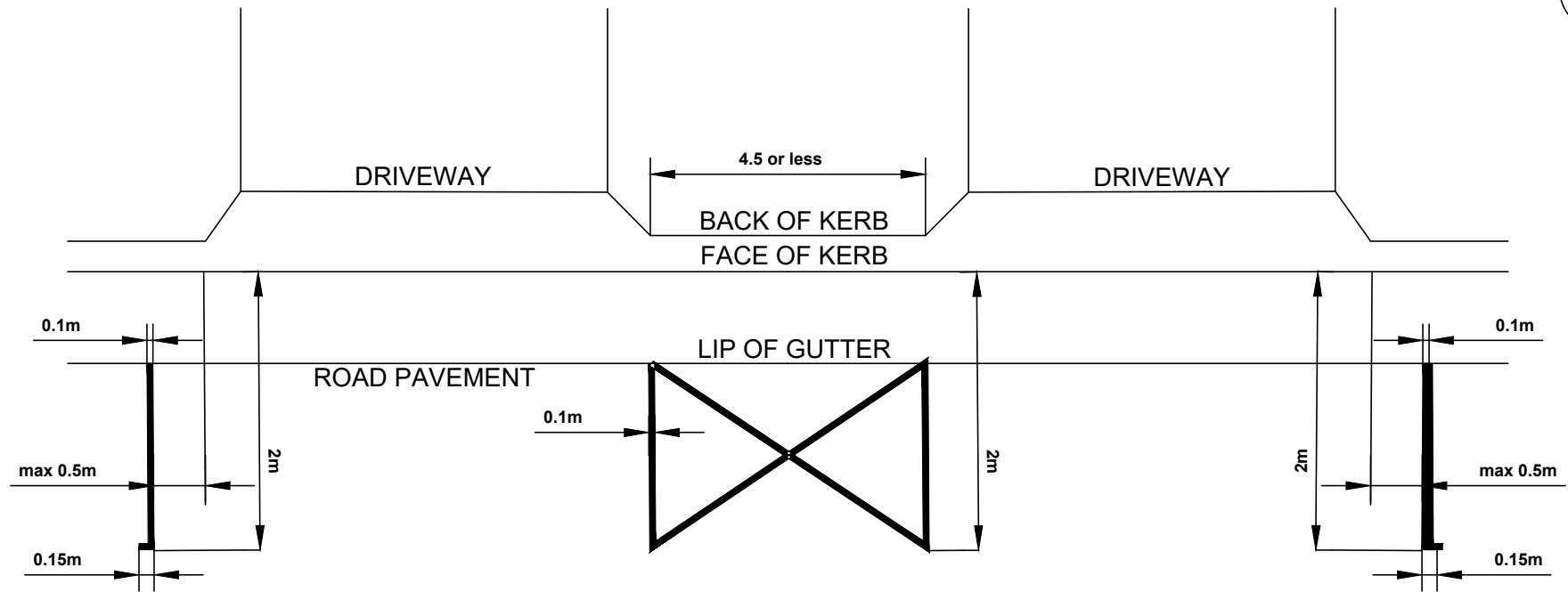


Specifications for pavement lines at driveways

Lines to be marked by an appropriate contractor in a workman like manner using white paint, in accordance with the above dimensions.

Note: A Temporary Road Occupancy approval from City of Parramatta is required before working on the road

DATE	AMENDMENT	INIT.	NOTES	SCALE	N.T.S.	CITY OF PARRAMATTA COUNCIL	STD DWG
			ALL SIGN POSTING TO BE IN ACCORDANCE WITH AS:1742	DESIGNED	QW		
			ALL DIMENSIONS ARE IN METRES	DRAWN	13/10/2023		
			CAUTION: SERVICES TO BE LOCATED PRIOR TO EXCAVATION	CHECKED			
				APPROVED			

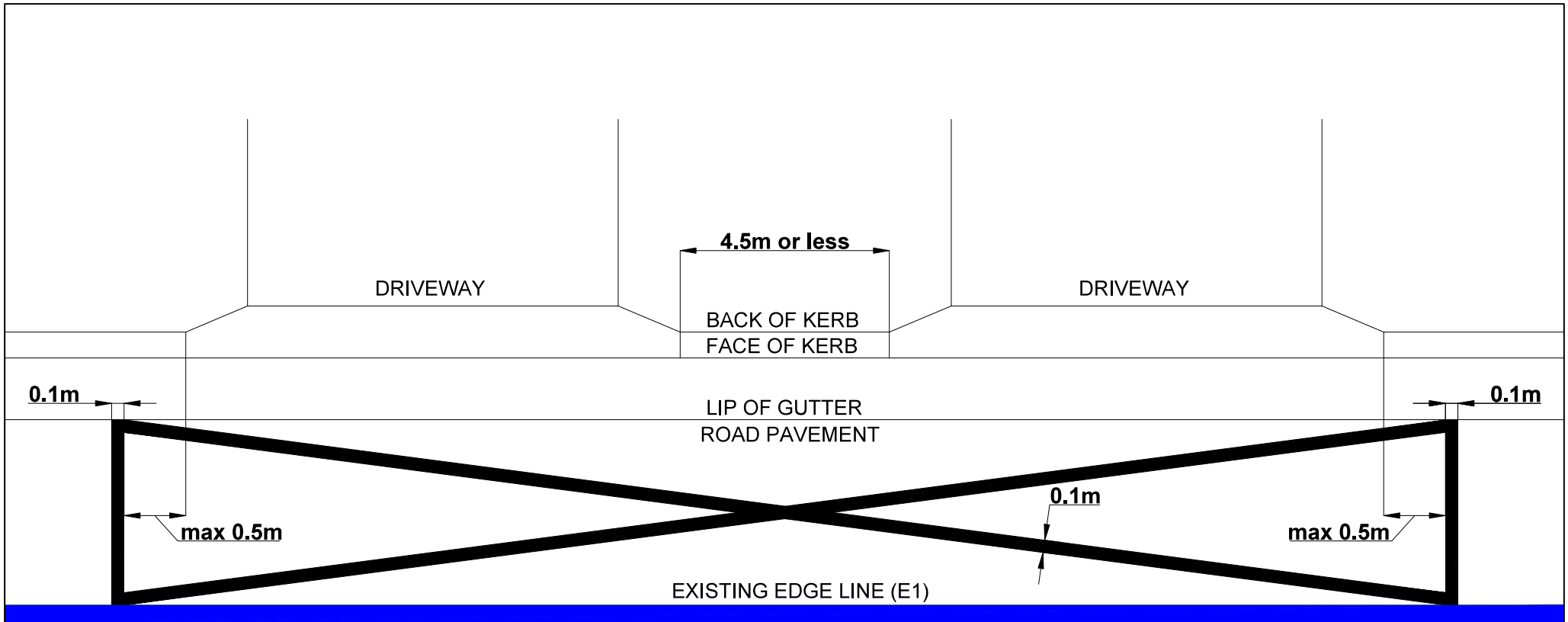


Specifications for pavement lines at driveways

Lines to be marked by an appropriate contractor in a workman like manner using white paint, in accordance with the above dimensions.

Note: A Temporary Road Occupancy approval from City of Parramatta is required before working on the road

DATE	AMENDMENT	INIT.	NOTES	SCALE	N.T.S.	CITY OF PARRAMATTA COUNCIL	STD DWG
			ALL SIGN POSTING TO BE IN ACCORDANCE WITH AS:1742	DESIGNED	QW		
			ALL DIMENSIONS ARE IN METRES	DRAWN	12/10/2023		
			CAUTION: SERVICES TO BE LOCATED PRIOR TO EXCAVATION	CHECKED			
				APPROVED			



Specifications for pavement lines at driveways

Lines to be marked by an appropriate contractor in a workman like manner using white paint, in accordance with the above dimensions.

Note: A Temporary Road Occupancy approval from City of Parramatta is required before working on the road

DATE	AMENDMENT	INIT.	NOTES	SCALE	N.T.S.	CITY OF PARRAMATTA COUNCIL	STD DWG
			ALL SIGN POSTING TO BE IN ACCORDANCE WITH AS.1742	DESIGNED	RP		TRAFFIC AND TRANSPORT SERVICES
			ALL DIMENSIONS ARE IN METRES	DRAWN	04/08/2022		
			CAUTION: SERVICES TO BE LOCATED PRIOR TO EXCAVATION	CHECKED			
				APPROVED			